

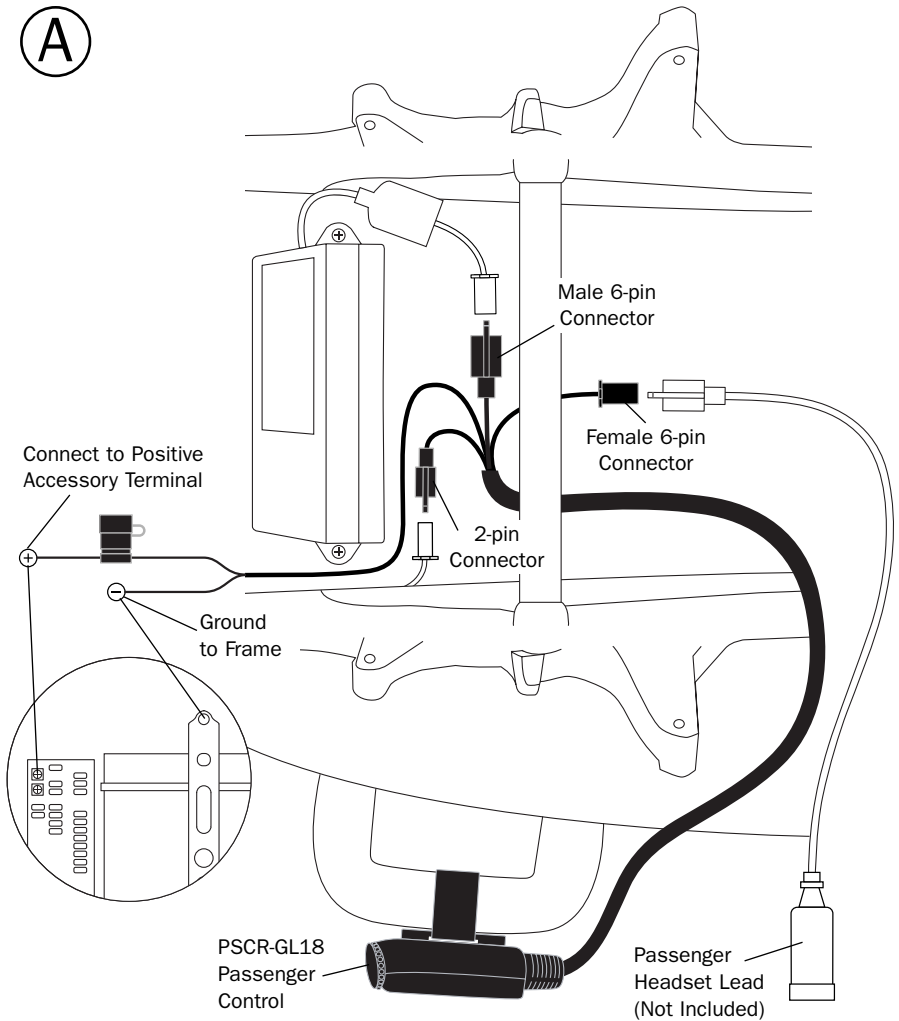
# **Deluxe Passenger Controller**

**For All Years of the GL-1800**

**Part #PSCR-GL18**

## **Installation & Operating Instructions**

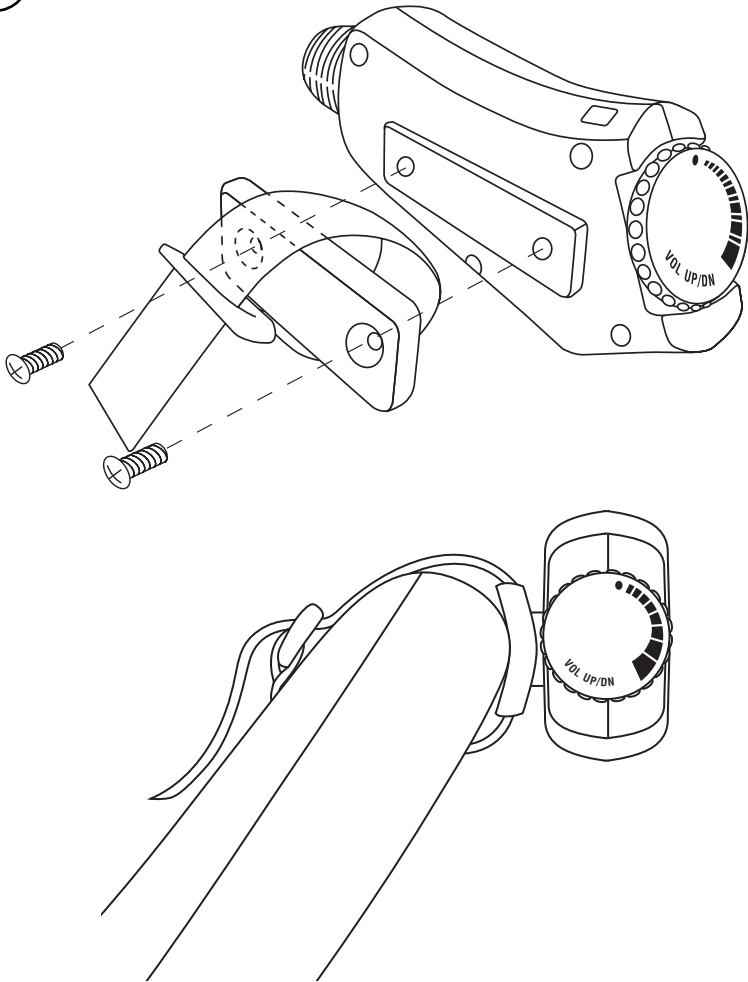
A



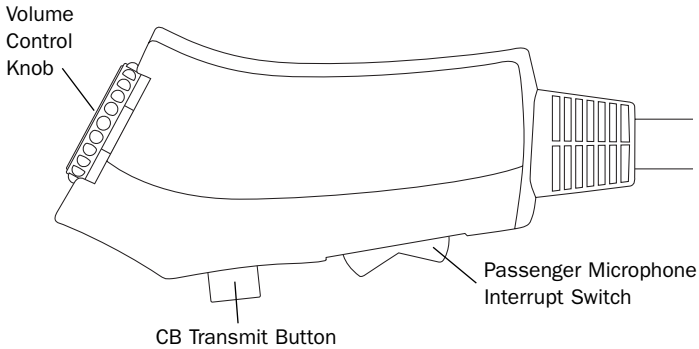
## Installation

1. Remove seat.
2. Follow passenger headset lead down to the white 6-pin connectors located under the passenger seating area. Disconnect these plugs. **(Diagram A)**
3. Route the passenger controller harness along side the passenger headset lead and plug the two 6-pin connectors in line between the previously disconnected white 6-pin male and female connector plugs.

**B**



4. Locate the open black 2-pin female connector plug on the GL-1800 wiring harness. Plug the 2-pin connector from the passenger controller into this plug.
5. Connect the black negative lead from the power harness of the passenger controller to the motorcycle chassis. Connect the red positive lead to the motorcycle's positive accessory terminal behind the left side-cover.
6. Re-install the seat and install the passenger controller on the left grab-handle using the mounting plate and strap provided. **(Diagram B)**



## Operation

**Volume Control:** To increase helmet headset volume, rotate control knob clockwise. To decrease, rotate counter-clockwise. Volume control will affect all audio features, including the intercom. Therefore, if you rotate the control to a very low volume you may not be able to hear the driver over the intercom portion of the system. Additionally, this control can only raise the helmet audio level to the maximum level of the main system which is set by the driver.

**CB Transmit Button:** The CB push to talk transmit button allows for passenger initiated CB transmission, if your Gold Wing is so equipped. Depress and hold down on the PTT button for the duration of the CB transmission. The blue LED indicator light will illuminate during CB transmission.

**Passenger Microphone Interrupt Switch:** This switch is a rocker type ON-OFF switch. The red LED indicator light will be illuminated when the switch is in the ON position.

**NOTE:** It is not necessary to return the passenger microphone interrupt switch to the ON position before you transmit on the CB. The passenger CB transmit button will initiate CB transmission with the passenger microphone interrupt switch in either the ON or OFF position.

---

Thank you for the confidence you have shown by purchasing one of J&M's innovative products. If you have any questions during installation, or require further assistance, you may call us at 1-800-358-0881 from 8:00 a.m. to 5:00 p.m. Mountain Standard Time, Monday through Friday.



Tucson, Arizona, U.S.A.

Tel: (800) 358-0881

Website: <http://www.jmcorp.com>

E-mail: [audio@jmcorp.com](mailto:audio@jmcorp.com)