

Digital Music Player With Bluetooth®

**For 2001-2010
Honda® GL-1800**

Part#JMDM-IPBT-GL18

Installation & Operation Instructions

Table of Contents

Product Description	Section 1	Installation Instructions	Section 4
Safety & General Information	Section 2	General Operation Instructions	Section 5
Package Contents	Section 3	Bluetooth Linking/Pairing Scenarios	Section 6

1. Product Description

This exciting new digital music player from J&M will plug directly into the CD selected music input plug on all 2001-2010 Honda Gold Wing audio systems, replacing the Honda CD changer, at a fraction of the cost.

Store and play up to 884 MP3 song tracks from your music library on a single SD card, (exact # of song track storage and playback will vary depending on model year of the GL-1800) and toggle thru song after song using your existing handlebar audio system controls.

Plug in your iPod® with your favorite music files stored, and toggle thru song after song using your existing handlebar audio system controls, without discharging your iPod's internal battery.

Plug in your remote mounted Satellite radio receiver or MP3 player, using the 3.5mm 3-conductor plug accessory cable and enjoy high-quality stereo music thru the Honda audio system CD selection.

Link by Bluetooth® your cell phone or Garmin® Zumo to the player and your cell phone conversations or navigation commands will automatically prioritize OVER whichever music files are being played at the time, allowing hands free cell phone conversations, by both the driver and passenger thru their J&M brand helmet headsets.

If your cell phone/smart phone/Garmin Zumo 660/665 also contains stored stereo music files, they will stream via Bluetooth, into the music player and on thru to the GL-1800 audio system.

Control head mounts down into the base inside the tail trunk, in place of the CD changer, along with the custom J&M microphone signal adapter harness, as a complete plug-n-play installation.

This digital music player/cell phone kit includes a direct plug-n-play harness for the GL-1800 audio system, SD card reader/adaptor, USB cable extension for iPod, 3.5mm aux extension cable for satellite radio or MP3 player, pre-loaded 4Gb test SD card, pre-gummed Velcro mounting strips and complete installation and operation instructions.

Note: When installing this unit on 2009-2010 GL-1800s, if you wish to use the XM satellite radio feature of your audio system, with this digital music changer, you will need to purchase at additional cost J&M part# JMDM-ADT-GL18.

Supported Bluetooth Profiles

A2DP (Advanced Audio Distribution Profile)
HFP (Hands-free Profile)
HSP (Headset Profile)
AVRCP (Audio Video Remote Control Profile)

2. Safety and General Information

IMPORTANT INFORMATION FOR SAFE AND EFFICIENT OPERATION. READ THIS INFORMATION BEFORE USING YOUR DEVICE.

Users are not permitted to make changes or modify the device in any way. Changes or modifications not expressly approved by the party responsible for compliance could void the user's authority to operate the equipment. See 47 CFR Sec. 15.21.

This device complies with part 15 of the FCC Rules. Operation is subject to the following two conditions: (1) This device may not cause harmful interference, and (2) this device must accept any interference received, including interference that may cause undesired operation. See FCC 47 CFR Sec. 15.19 (3).

ELECTROMAGNETIC INTERFERENCE/COMPATIBILITY

Note: Nearly every electronic device is susceptible to electromagnetic interference (EMI) if inadequately shielded, designed or otherwise configured for electromagnetic compatibility.

FACILITIES: To avoid electromagnetic interference and/or compatibility conflicts, turn off your device in any facility where posted notices instruct you to do so. Hospitals or health care facilities may be using equipment that is sensitive to external RF energy.

AIRCRAFT: When instructed to do so, turn off your device when on board an aircraft. Any use of a device must be in accordance with applicable regulations per airline crew instructions.

MEDICAL DEVICES

HEARING AIDS: Some devices may interfere with some hearing aids. In the event of such interference, you may want to consult with your hearing aid manufacturer to discuss alternatives.

OTHER MEDICAL DEVICES

If you use any other personal medical device, consult the manufacturer of the device to determine if it is adequately shielded from RF energy. Your physician may be able to assist you in obtaining this information.

Industry Canada Notice to Users: Operation is subject to the following two conditions: (1) This device may not cause interference and (2) This device must accept any interference, including interference that may cause undesired operation of the device.

FCC Notice to Users: This equipment has been tested and found to comply with the limits for a Class B digital device, pursuant to part 15 of the FCC Rules. These limits are designed to provide reasonable protection against harmful interference in a residential installation. This equipment generates uses and can radiate radio frequency energy and, if not installed and used in accordance with the instructions, may cause harmful interference to radio communications. However, there is no guarantee that interference will not occur in a particular installation. If this equipment does cause harmful interference to radio or television reception, which can be determined by turning the equipment off and on, the user is encouraged to try to correct the interference by one or more of the following measures:

- Reorient or relocate the receiving antenna.
- Increase the separation between the equipment and the receiver.
- Connect the equipment to an outlet on a circuit different from that to which the receiver is connected.
- Consult the dealer or an experienced radio/TV technician for help.

3. Package Contents

- Digital music player
- Microphone integration terminal
- SD card (pre-loaded with sample/test MP3 files)
- GL-1800 connection harness
- iPod connection cable
- Auxiliary extension cable
- SD card reader/writer
- Velcro strips for mounting

4. Installation Instructions

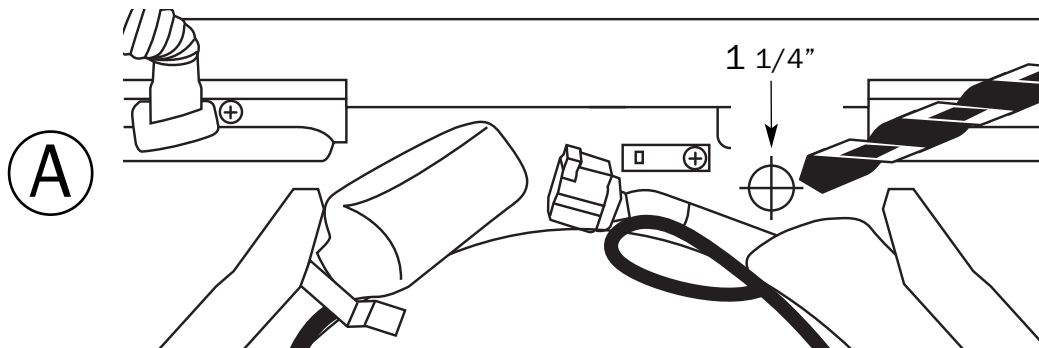
Integration component terminal installation and connections

> Diagram A and B

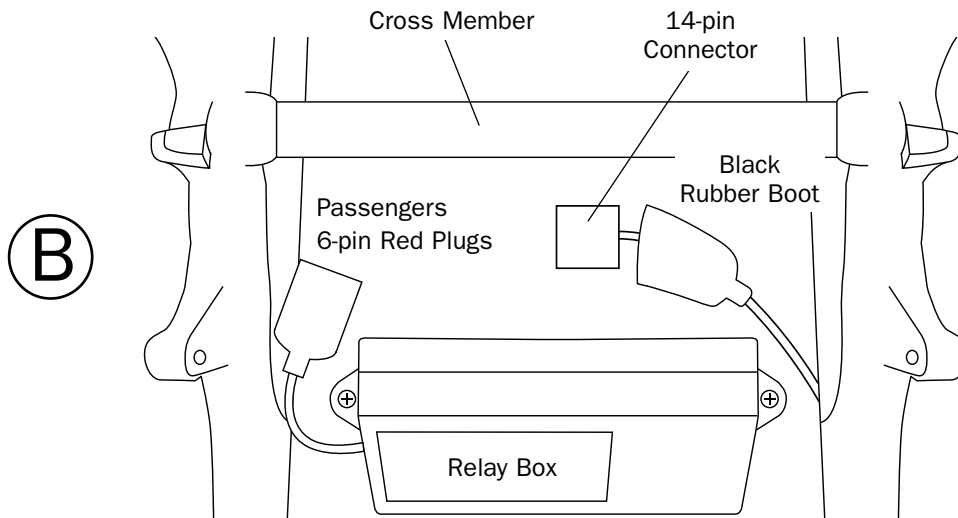
1. Remove:

- Left fairing pocket
- Headlight/Preload adjustment panel
- Left side cover
- Seat

2. Locate the mark on the lower left edge of the tour pack and drill a 1 1/4" hole. **Diagram A**



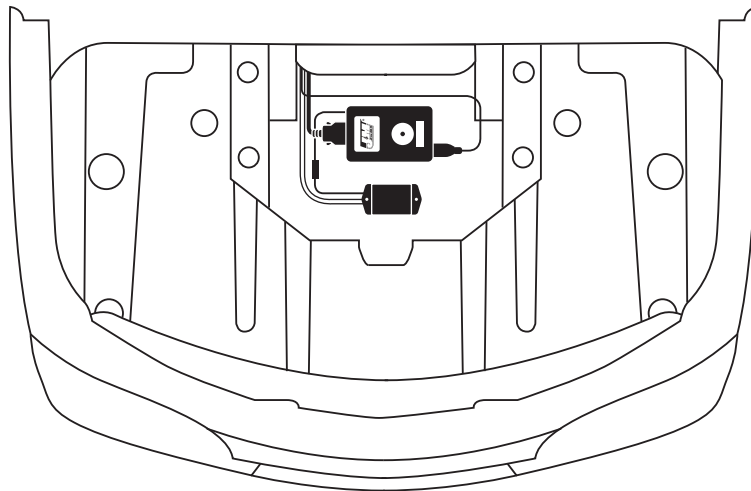
3. Route the included cables through the hole and install the supplied rubber grommet on the cables and into the 1 1/4" hole.



4. Locate the white 14 pin plug located in the black rubber boot next to the cross-member and relay box under the seat. **Diagram B**
5. Plug the white 14 pin connector from the JMDM-IPBT-GL18 harness into the corresponding plug on the bike. **NOTE:** The cable must be routed under the frame cross member to prevent damage to the cable.
6. Plug the 20 pin plug on the harness in to the JMDM-IPBT-GL18.
7. Route the short cable with the red 6 pin male/female connectors from the microphone integration terminal, to the black rubber boot under the seat next to the relay box. Unplug the red 6 pin plugs from the passenger's headset lead inside the black rubber boot, and connect the red 6 pin plugs from the microphone integration terminal in series with the passenger's headset lead.
8. Route the long cable with the red 6 pin male/female connectors from the microphone connection terminal to a location under the left front fairing pocket and plug the red 6 pin plugs in series with the driver's headset lead.
9. Plug the black 4 pin plug from the JMDM-IPBT-GL18 into the black 4 pin plug on the microphone integration terminal.
10. If you wish to use the iPod function, route the included iPod cable to your handlebar mounted iPod, or other desired mounting location.
11. If you wish to use the aux input function, route the included Auxiliary cable to your handlebar mounted satellite radio/MP3 player or other desired mounting location. **Note:** Connection of the Auxiliary cable to the JMDM-IPBT-GL18 will override the SD card and music from the SD card will not be heard until the aux cable is unplugged at the main unit.
12. Test the JMDM-IPBT-GL18 by inserting the supplied SD card. Turn the ignition switch to either the On or ACC position and select CD on the stereo.

Using the "Tune/Disc" up down toggle control on the handlebar, select between individual tracks with each single toggle, or hold up/down for 3 seconds to change to another folder/CD #.

Important Note: When installing this unit on 2009-2010 GL-1800s, if you wish to use the factory installed XM satellite radio feature of your audio system, in conjunction with the J&M digital music player, you will need to purchase at an additional cost J&M part# JMDM-ADT-GL18.



5. General Operation Instructions

General tips for use with iPod

When connection is made to the iPod the music from the SD card will no longer be heard and the iPod will begin charging. The iPod will begin to play songs or playlists depending on what has been selected on the iPod. Press the "Tune/Disc" lever on the handlebar up to play the next song. Press the "Tune/Disc" down to play the previous song. Press and hold the "Tune/Disc" up for three seconds to go to the next playlist. Press and hold the "Tune/Disc" down for three seconds to go to the previous playlist.

General tips for use with aux input

When the Auxiliary audio cable is plugged into the JMDM-IPBT-GL18 the music from the SD card will no longer be heard. Plug the auxiliary cable into the satellite radio/MP3 player. The "Tune/Disc" handlebar lever will have no effect on functions of the satellite radio/MP3 player.

Note: If both an iPod and auxiliary audio device are used simultaneously the iPod and auxiliary audio will mix together and be heard at the same time.

General Tips for Use with SD Card

For the 2001-2005 GL-1800, it usually works best to limit the # of folders to 5, plus the root, with no more than 45 files/tracks per folder, using a 4Gb (max) SD card.

2006-2010 GL-1800s will support up to 8 folders, plus the root and up to 99 files/tracks per folder, using an SD card up to 8Gb in size.

The included card reader/writer is not a thumb drive and is used only to load music into your SD card.

The suggested file format for music is MP3, while WMA can be used if the files/tracks are not protected.

If you are using iTunes, the music files will need to be converted to MP3 before they are loaded into the SD card or thumb drive.

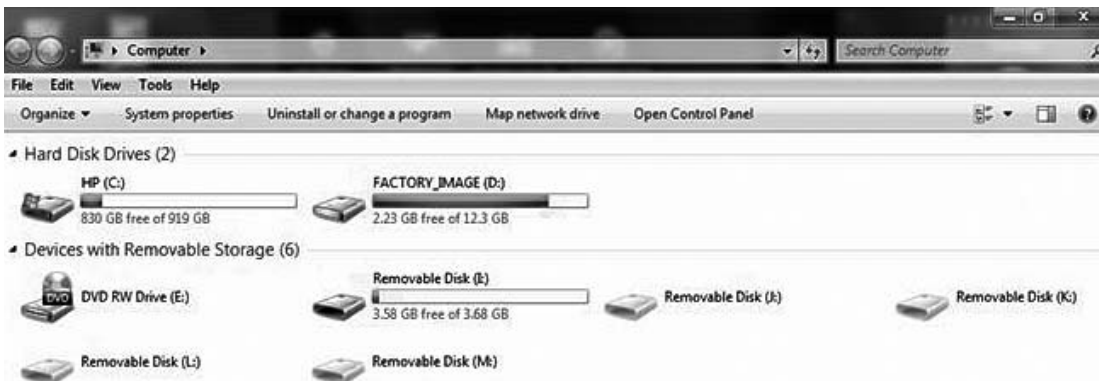
When both an SD card and USB Flash Drive are inserted into the JMDM-GL18B, the SD card will be recognized first.

How to add MP3 or WMA files/folders to an SD Card or USB Thumb-Drive.

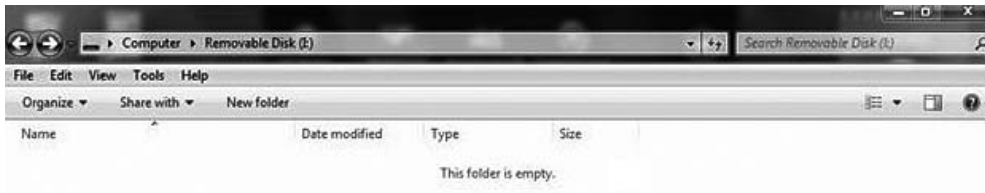
1. Connect your SD card to the computer by inserting the SD card into the supplied SD card reader/writer or simply plug your USB Thumb Drive into the computer.
2. Click on **Start** and then **My Computer**.



3. Now find the SD card or USB thumb-drive (designated as Disk (I): in this example)



4. Click on the **Removable Disk (I):** and you should now have an open folder, this is also known as the Root Folder.



5. At this point Music can be added to the SD Card or USB Thumb-Drive. You will need to locate your MP3 or WMA files on your computer.

6. To transfer music files from your computer to the SD Card or USB Thumb-Drive, drag and drop at least one track into this main root folder. This main root folder must contain at least one MP3 file/track or the JMDM-GL18B will not play. This main root folder will be displayed as CD 1.7. For a more complex method of arranging and playing your music, move your music to the SD Card or USB Thumb-Drive into specific folders. This main folder is called the Root folder and **MUST CONTAIN AT LEAST ONE MP3 FILE OR THE JMDM-GL18 WLL NOT PLAY ANY MUSIC.** NOTE: This main folder will be displayed as CD 1.

Additional folders can now be added to the root folder by clicking on **(Top-Left) File**, then **New**, then **Folder**.



For the 2001-2005 GL-1800, it usually works best to limit the # of folders to 5, plus the root, with no more than 45 files/tracks per folder, using a 4Gb (max) SD card.

2006-2010 GL-1800s will support up to 8 folders, plus the root and up to 99 files/tracks per folder, using an SD card up to 8Gb in size.

These folders can be named as you choose but these names will not display on the Honda Radio, only the CD Disk number will be displayed. The MP3 files and folders will play in the actual order you have added them to the SD Card or USB thumb-drive, not by the track number itself.

Here is an example of five folders with three MP3 files/tracks in the main root folder, as per the included SD card.



7. When you are finished loading the SD card or USB thumb-drive, unplug it from the computer, insert into the JMDM-GL18B and select CD on the Honda audio system control panel.

The music will begin to play and is displayed as CD1. To change to the next folder press and hold the "Tune/Disc" up toggle for three seconds and CD2 will begin to play. If you do not press and hold the "Tune/Disc" up/down toggle for the three seconds, the next track will play in CD1 instead of the CD2 folder.

6. Bluetooth Linking/Pairing Scenarios

Note: CD must be selected on the Honda GL-1800 audio system for the following to function properly.

Pairing and Operation of the JMDM-IPBT-GL18 to a Bluetooth Enabled MP3 Player/iTouch

1. Turn the motorcycle ignition switch to on or accessory position.
2. Go into the settings menu of the MP3 player and select search for new Bluetooth device.
3. Once JM-MPBT-2 is displayed on your screen, click on it. When you are asked for a passkey, enter: 9088.
4. Once the MP3 player connects to the JMDM-IPBT-GL18 the music from the MP3 player will be heard through the Honda GL-1800 audio system and the music from the SD card will pause.
5. Volume adjustments can be made on the MP3 player itself. Set the music volume on the MP3 player to a maximum level before distortion.
6. Once paired the Bluetooth enabled MP3 player will not need to be re-paired to the JMDM-IPBT-GL18 each time the ignition switch is turned on.

Pairing and Operation of the JMDM-IPBT-GL18 to a Bluetooth Enabled Cell Phone

1. Turn the motorcycle ignition switch to on or accessory position.
2. Select the hands-free menu on the cell phone, go into the Bluetooth section and have the cell phone search for devices. When JM-MPBT-2 is displayed on your screen, click on it. When you are asked for a passkey, enter: 9088. Your cell phone should now pair with the JMDM-IPBT-GL18.
3. To set the cell phone volume, adjust the volume up or down buttons on the cell phone itself, during an actual conversation only.
4. During a cell phone conversation, both the driver and passenger can hear the call and also talk on the cell phone using their helmet headsets.
5. For incoming cell phone calls you will first hear a Bluetooth alert tone followed by a verbal caller ID. To accept the incoming call toggle the Tune/Disc button on the handlebar down. To reject the incoming call toggle the Tune/Disc button on the handlebar up.
6. Once paired the cell phone will not need to be re-paired to the JMDM-IPBT-GL18 each time the ignition switch is turned on.

Note: The intercom mute sensitivity level on the GL-1800 audio system should be set to level 5 during cell phone conversation to prevent the muting of the incoming cell phone audio level.

Pairing and Operation of the JMDM-IPBT-GL18 to a Bluetooth Enabled Smart Cell Phone

1. Turn the motorcycle ignition switch to on or accessory position.
2. Select the hands-free menu on the cell phone, go into the Bluetooth section and have the cell phone search for devices. When JM-MPBT-2 is displayed on your screen, click on it. When you are asked for a passkey, enter: 9088. Your cell phone should now pair with the JMDM-IPBT-GL18.
3. To set the cell phone volume, adjust the volume up or down buttons on the cell phone itself, but during actual conversation only.
4. During a cell phone conversation, both the driver and passenger can hear the call and also talk on the cell phone using their helmet headsets.
5. For incoming calls you will first hear a Bluetooth alert tone followed by a verbal caller ID. To accept the incoming call toggle the Tune/Disc button on the handlebar down. To reject the incoming call toggle the Tune/Disc button on the handlebar up.
6. The music player in the cell/smart phone can also be used to play music through the GL-1800 audio system. Select your music player in your smart phone and click on the play button. Adjust the music volume from the phone to a maximum level before distortion. The Disc/Tune button on the handlebar can be used to track the music up and down on the smart phone.
7. The music from the smart phone will be interrupted during cell phone conversation and will resume play once the call has ended.

8. Once paired the smart phone will not need to be re-paired to the JMDM-IPBT-GL18 each time the ignition switch is turned on.

Note: The intercom mute sensitivity level on the GI-1800 audio system should be set to level 5 during cell phone conversation to prevent the muting of the incoming cell phone audio level.

Pairing and Operation of the JMDM-IPBT-GL18 to a Bluetooth Enabled Garmin Zumo 660/665

1. Turn the motorcycle ignition switch to on or accessory position.
2. Select the hands-free menu on the Zumo command center, go into the Bluetooth section and have it search for devices. When JM-MPBT-2 is displayed on the screen, click on it. When you are asked for a passkey, enter: 9088. Your Zumo unit should now pair with the JMDM-IPBT-GL18.
3. Now pair your cell phone to the Zumo, as per the linking/operation instructions included with it.
4. If your Zumo has a built in media player, you can play music through the GI-1800 audio system. Select the media player and click on the play button. Adjust the music volume to a maximum level before distortion. The Tune/Disc button the handlebar can be used to track the music up and down on the Zumo 660/665.
5. To set the Zumo navigation and/or cell phone conversation volume levels, refer to the operation instructions included with your Zumo 660/665. Additional cell phone volume adjustments can also be made on the cell phone itself, but during actual conversation only.
6. Once paired the Zumo will not need to be re-paired to the JMDM-IPBT-GL18 each time the ignition switch is turned on.

Note: The intercom mute sensitivity level on the GI-1800 audio system should be set to level 5 during cell phone conversation to prevent the muting of the incoming cell phone audio level.



J&M Corporation
Tucson, Arizona, U.S.A.
Tel. 1-800-358-0881
www.jmcorp.com
audio@jmcorp.com

Thank you for the confidence you have shown in J & M by purchasing one of our innovative products. It will give you many hours of riding pleasure. If you have any questions during installation or require more information about this product, you may call our Customer service Department (English only, please) at 1-800-358-0881, Monday through Friday, 8:00 a.m. to 5:00 p.m. Mountain Standard Time, U.S.A.



WARRANTY REGISTRATION FORM Please fill out this card completely and mail it immediately after purchase. Please be sure that your zip code and serial number (if applicable) are legible. This will help us to serve you better. **NOTE: Lift the velcro flap on the right speaker pouch to expose serial number.**

(PLEASE PRINT)

Name _____

Address _____

City _____ State _____ Zip _____

Motorcycle Other E-mail _____

Make _____ Model _____ Year _____

Product part number _____

Serial number (if applicable) _____

Date of purchase _____

Name of dealer it was purchased from _____



Mail to:
J&M Corporation
1415 S. Cherry Avenue
Tucson, AZ 85713
U.S.A.

WARRANTY AND REPAIR INFORMATION

TWO YEAR LIMITED WARRANTY In order to facilitate the servicing of this warranty, the Warranty Registration Form should be filled out and returned within 10 days of the date of purchase. However, return of the Warranty Registration Form is not a precondition of this warranty, and this Warranty will be observed by **J&M CORPORATION** whether or not the Warranty Registration Form is returned, on the condition that other satisfactory evidence of the date of the original purchase is provided to **J&M CORPORATION**.

WHO PROVIDES THE WARRANTY? This warranty is provided by **J&M CORPORATION**.

WHO IS PROTECTED? This warranty is extended only to the original owner of this J&M CORPORATION product and may not be transferred or assigned.

WHAT IS COVERED AND HOW LONG? This warranty covers all defects in material or workmanship of our product for a period of 2 years from date of original retail purchase. At its option, **J&M CORPORATION** will repair or replace any defective part(s) or equipment.

The provisions of the warranty shall not apply to any unit which has been subjected to misuse, neglect, incorrect mechanical or electrical installation, unauthorized modifications, accident, nor to units which have been repaired or altered outside of our factory.

PROCEDURE FOR OBTAINING PERFORMANCE OF WARRANTY In the event that the product does not conform to this warranty, the product should be shipped prepaid to the **J&M CORPORATION** service facility. Transportation charges, insurance fees, and labor costs for shipment, removal, or reinstallation of our product are not covered by this warranty. Loss or damage in shipment is the sole responsibility of the freight carrier.

FOR YOUR INFORMATION Repair as provided under this warranty is the exclusive remedy of the consumer. **J&M CORPORATION** shall not be liable for any incidental or consequential damages or for breach of any express or implied warranty on this product. Except to the extent prohibited by applicable law, any implied warranty of merchantability or fitness for a particular purpose on this product is limited in duration to the duration of the warranty. Some states do not allow the exclusion or limitation of incidental or consequential damages, or allow limitations on how long an implied warranty lasts, so the above limitations or exclusion may not apply to you. This warranty gives you specific legal rights which vary from state to state.

J&M CORPORATION reserves the right to make changes in design and to make improvements in its products without the obligation to incorporate the changes or improvements in any of its previously manufactured products.

J&M CORPORATION has not authorized anyone to make representations or warranties other than the warranty contained herein.

The above warranty is effective for all products manufactured after 10/01/86.

NON-WARRANTY REPAIR RATES **J&M CORPORATION** reserves the right to change the labor repair rates without prior notice. At the time of this printing the out-of-warranty repair is \$40 per hour for labor only. However, the customer is advised to verify the current rate when he/she calls customer service to obtain the return authorization number.

FACTORY SERVICE ADDRESS J&M Corporation, 1415 S. Cherry Avenue, Tucson, Arizona, 85713, U.S.A. Tel: 1-800-358-0881
audio@jmc Corp.com www.jmcorp.com

CUSTOMER SERVICE NUMBER 1-800-358-0881

Please complete
WARRANTY REGISTRATION FORM
on the reverse side and send to J&M Corporation