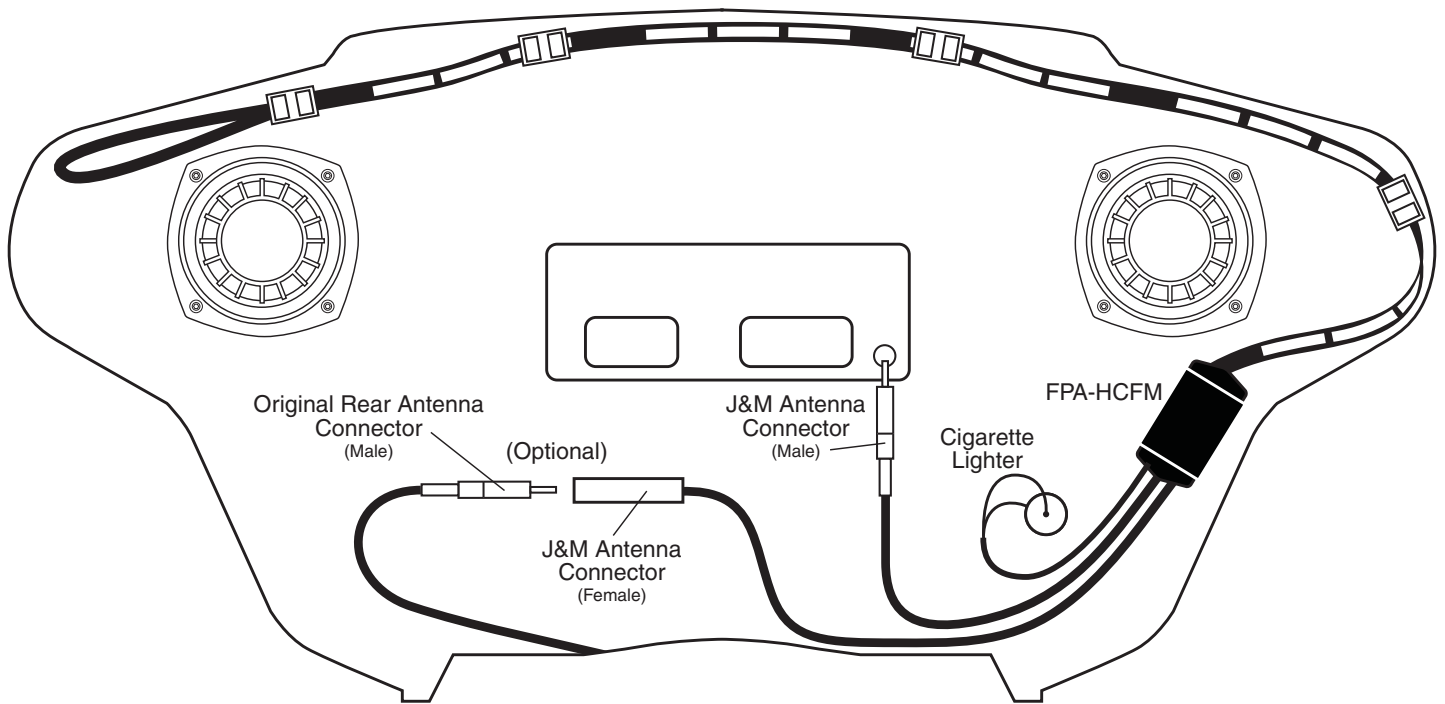


**Flexpower™ In-Fairing
AM-FM-WB Power Antenna for
1985-2011 Harley Davidson®
Motorcycles with Classic
(Bat Wing) or Road Glide Fairing**

#FPA-HCFM

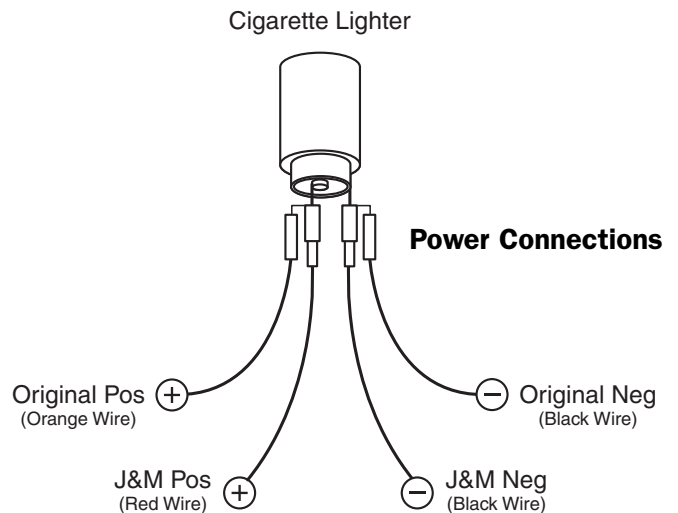
**Installation
and
Instructions**

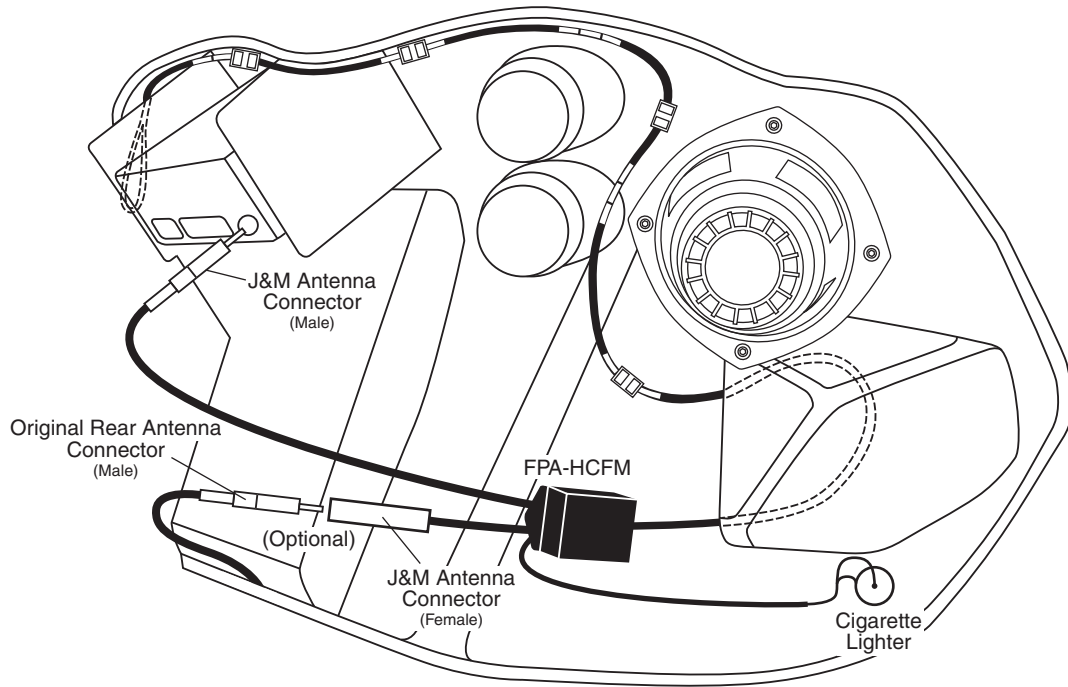


Classic (Bat Wing) Fairing

Installation and Instructions

1. Remove the windshield and outer fairing shell.
2. Mount the J&M FPA-HCFM power module inside the left side of the inner fairing near the cigarette lighter socket using the two-sided tape already affixed to the module. **(See Diagram)**
3. Route the antenna lead-wire upward along the left side of the inner fairing, across the top and into the upper right hand corner of the inner fairing. Secure the antenna wire using the provided adhesive clips. **(See Diagram)**
4. Unplug your stock antenna cable from the radio and plug the J&M antenna connector into the radio in its place. **Note:** If you wish to retain your original antenna rear assembly you may simply plug it into the additional female connector from the J&M FPA-HCFM unit. **(See Diagram)**
5. Unplug the original power and ground connectors from the cigarette lighter socket. Plug the piggy-back style connectors on the J&M FPA-HCFM power/ground wires onto the cigarette lighter socket assembly. Then plug the original power and ground connectors onto the piggy-back style terminals on the J&M power harness. **Note:** (Be sure to observe correct polarity when making the power and ground connections.) **(See Diagram)**
6. Turn on the ignition and test the unit for proper connection and operation. (The red LED bulb on the antenna should illuminate when the ignition switch is in the ON or the ACC. position)
7. Replace the outer fairing shell and windshield.





Road Glide Fairing

Thank you for the confidence you have shown in J&M Corporation by purchasing one of our innovative products.

If you have any question or comments about this product, you may contact us at USA 1-520-624-7000 Monday thru Friday, 8:00AM thru 5:00PM Mountain Standard Time.



1415 S. Cherry Avenue
Tucson, AZ 85713 U.S.A.
Tel (800) 358-0881
Website: <http://www.jmcorp.com>
E-mail: audio@jmcorp.com