

Copyright © 2019 by Big Bike Parts, Inc. No part of this instruction sheet may be reproduced without the written permission of Big Bike Parts, Inc.

PART NO. 52-948BK

LEFT SIDE PHONE HOLDER

FITMENT: HONDA GOLDWING/GOLDWING TOUR DCT 2018-NEWER

4/10/2019

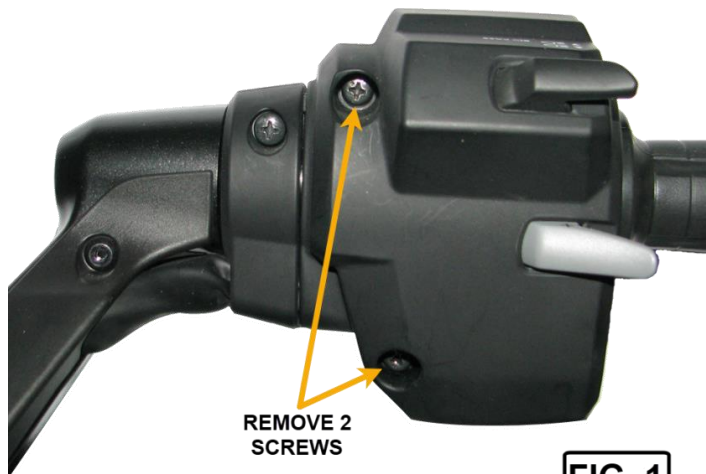
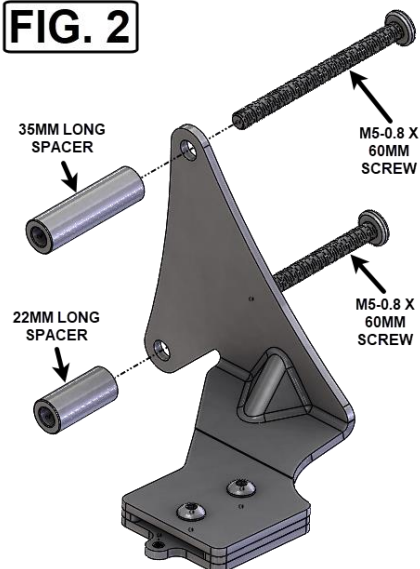
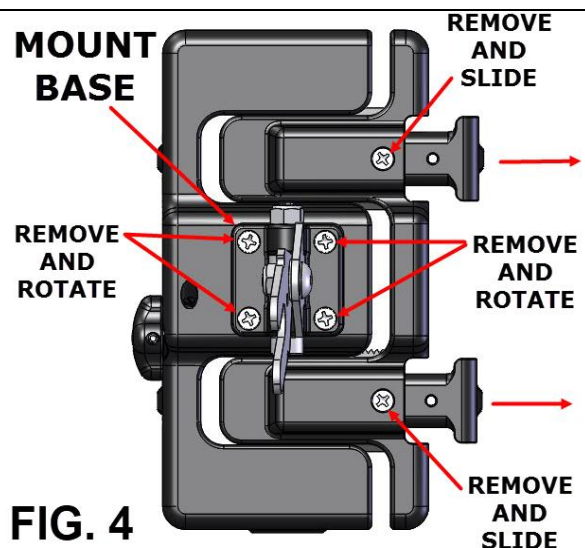
TOOLS NEEDED: 2MM ALLEN WRENCH

PHILLIPS SCREWDRIVER

REMOVABLE THREAD LOCK

PLEASE READ THROUGH AND UNDERSTAND THESE INSTRUCTIONS BEFORE BEGINNING.**ESTIMATED INSTALLATION TIME: 10 TO 15 MIN.****INSTALLATION:**

1. USING PHILLIPS SCREWDRIVER, REMOVE THE TWO SCREWS ON THE FRONT OF THE LEFT HANDLEBAR CONTROL AS SHOWN IN FIG. 1. THESE WILL NOT BE REUSED.
2. APPLY THREAD LOCK NEAR THE END OF THE M5 SCREWS SUPPLIED WITH THE MOUNT.
3. ASSEMBLE THE M5 SCREWS AND SPACERS AS SHOWN IN FIG. 2.
4. USING A PHILLIPS SCREWDRIVER, INSTALL THE SCREWS INTO THE LEFT HANDLEBAR CONTROL AS SHOWN IN FIG. 3 AND TIGHTEN. *NOTE: OVER TIGHTENING CAN CAUSE DAMAGE TO THE INSERTS IN THE FRONT HALF OF THE SWITCH BLOCK.*
5. GPS/PHONE HOLDER CAN BE ROTATED 90 DEGREES AND MADE WIDER. SEE FIG. 4. *(REINSTALL SCREWS AFTER ADJUSTING HOLDER)*
6. INSTALL THE SAFETY STRAP BY REMOVING THE TOP PHILLIPS SCREW ON THE BACK AND REINSTALLING IT THROUGH THE HOLE ON THE STRAP. SEE FIG. 5.
7. SLIDE THE GPS/PHONE HOLDER INTO THE MOUNT AS SHOWN IN FIG. 6. INSTALL THE M3 SCREW FOR SECURITY.
8. ADJUST THE MOUNT TO THE DESIRED POSITION AND TIGHTEN THE SCREWS.
9. TURN THE LOCKING KNOB COUNTER CLOCKWISE UNTIL YOU SEE THE SET SCREW ON THE KNOB AND OPEN THE CLAMP. SEE FIG. 7.
10. SQUEEZE THE CLAMP TOGETHER AND ROTATE THE KNOB CLOCKWISE UNTIL THE ARROWS LINE UP. SEE FIG. 8.
11. TIGHTLY WRAP SAFETY STRAP AROUND THE DEVICE BEFORE USE.
12. LET THREAD LOCK CURE FOR 24 HOURS BEFORE USING PHONE HOLDER.

**FIG. 1****FIG. 2****FIG. 3****FIG. 4**

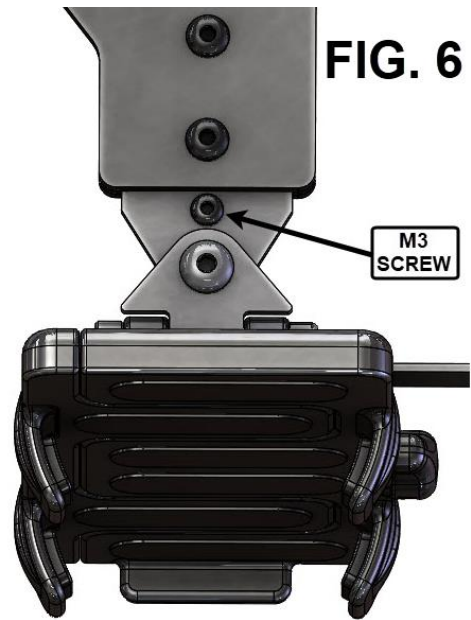
**PHILLIPS
SCREW**



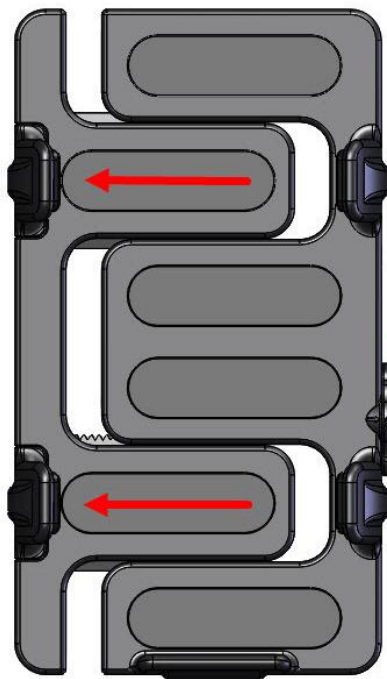
**SOFT SIDE
OUT**

FIG. 5

FIG. 6



**M3
SCREW**



**LOCKING
KNOB**

**SET
SCREW**

FIG. 7

ROTATE KNOB CLOCKWISE

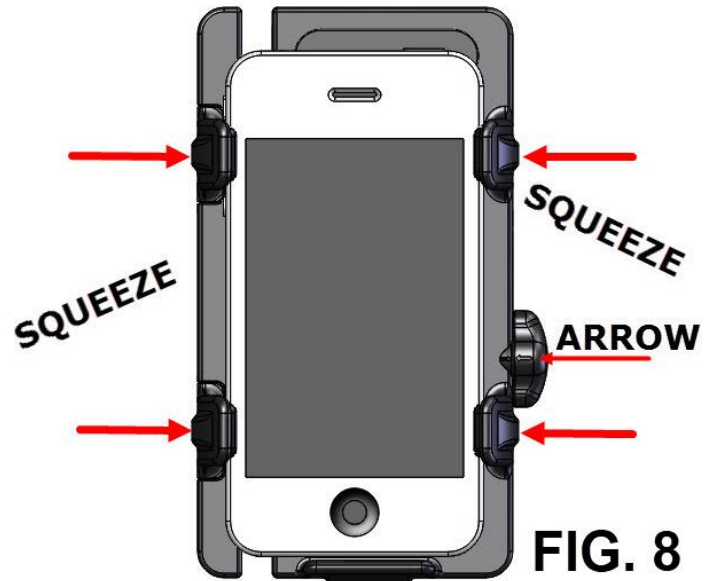


FIG. 8